



DSM Biogas

For stable processes and higher biogas yields

What is the current condition of your biogas plant?

You can achieve a continuous increase in turnover by optimizing the biotechnological processes of your biogas plant. The following table shows the relevant parameters for your biogas plant. Based on your answers, we will be able to offer you essential advice on how you can get maximum performance from your biogas plant from one input. We will tell you what measures need to be taken to stabilize your biogas plant and to increase the level of biogas production.



Registration form for your biogas plant

1. Contact person and address

Name and address of the biogas plant, name of the biogas plant operator or of the relevant contact person			
Offer to go to the following address			
Phone		Fax	
Cellphone		E-mail	

2. Details about the plant type

Manufacturer of the biogas plant									
	Mixing tanks	Hydrolysis stage		Fermenter		Secondary fermenter		Digestate storage tank	
Number									
Useable vol. (m ³)									
Gas capture	Yes No	Yes No	Yes No	Yes No	Yes No	Yes No	Yes No	Yes No	
Fermentation temperature range in °C (mesophilic/thermophilic)									
Year of construction of the biogas plant									
Type, manufacturer and year of construction of the CHP (gas-petrol engine/pilot injector)									
Max. output of the CHP(s) in kW _{el}									
Level of efficiency of the CHP(s)									
Ignition oil consumption in l/h									
Current output of the CHP(s) in kW _{el}									
Daily run time of the CHP in h									
Daily electricity production in kWh _{el}									

3. Details about the input

Type and quantity (in tons) of the substrates fed daily in	1)
	2)
	3)
	4)
	5)
Dry matter contents of the substrates in %	1)
	2)
	3)
	4)
	5)

Reply to fax no. +49 211 9754 997

Recirculation	Yes	No
If yes, separation	Yes	No
Recirculation volume in m ³ /d		

4. Are additives /auxiliary agents used

	Yes/no	Manufacturer
Trace elements	Yes No	
Enzymes	Yes No	
Desulfurization agents	Yes No	
Anti-foaming agents	Yes No	
Others	Yes No	

5. Analysis data on the fermenter, secondary fermenter and the biogas

	Fermenter	Secondary fermenter
pH		
DM content in %		
FOS figure in ml		
TAC figure in ml		
FOS/TAX		
Acetic acid content in mg/l		
Propionic acid content in mg/l		
NH ₄ ⁺ -N content in mg/l		
H ₂ S in ppm		
Methane content of the biogas in %		

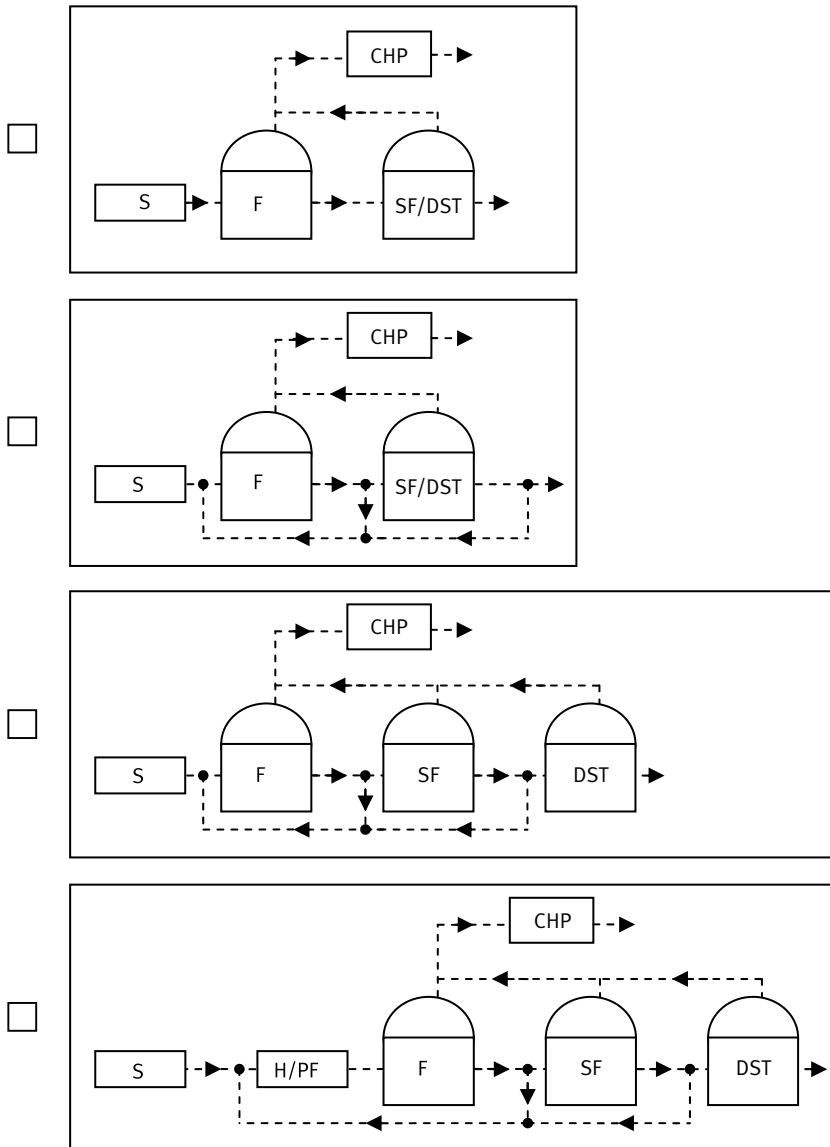
6. Expectations from the use of MethaPlus

Increase in the biogas production with the existing substrates	
Saving of expensive substrates as already operating on full load	
Elimination of floating layers	
Improvement in the stirring and pumping capacity of the content of the fermenter	
Other expectations	

7. Flow diagram for your biogas plant

The following illustrations show you an overview of different biogas plant designs; please select a design which matches your biogas plant and draw in the lines to represent the existing material flows.

Plant design



S – Substrate; H – Hydrol PS – Plug flow fermenter;
 F – Fermenter; SF – Secondary fermenter; DST – Digestate storage tank

We give an assurance that your data will be treated confidentially and will not be passed on to third parties.

Liability disclaimer

Although great care has been taken to ensure that the information contained in this document is correct, nothing in this document should be interpreted as a promise or guarantee for which we accept legal liability; this also includes, without restriction thereto, any guarantees in relation to the accuracy, validity or completeness of this information and the non-breach of intellectual property rights of third parties. The right to make amendments to the content of this document at any time without prior notification is reserved. The current version of this document as well as further information can be requested at any time. As the product formulations, specific applications and conditions of use of the user are not under our control, we do not provide any assurance or guarantee in respect of the results which may possibly be obtained by the user. The user bears responsibility for establishing whether our products are suitable for the specific purposes of the user and the legal status for the use of our products intended by the user.

© DSM 2012 - Version 12.001

Reply to fax no. +49 211 9754 997